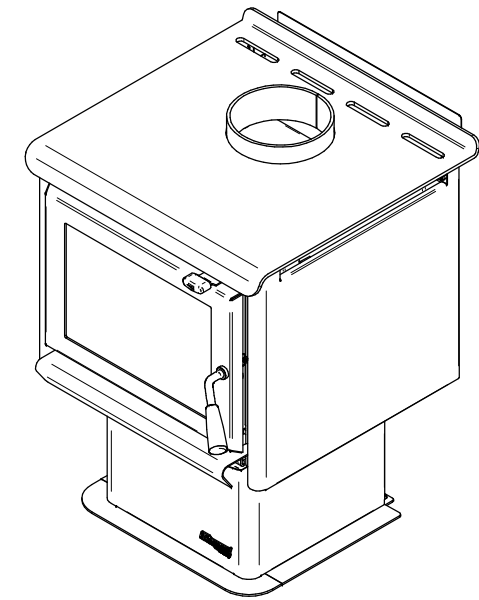
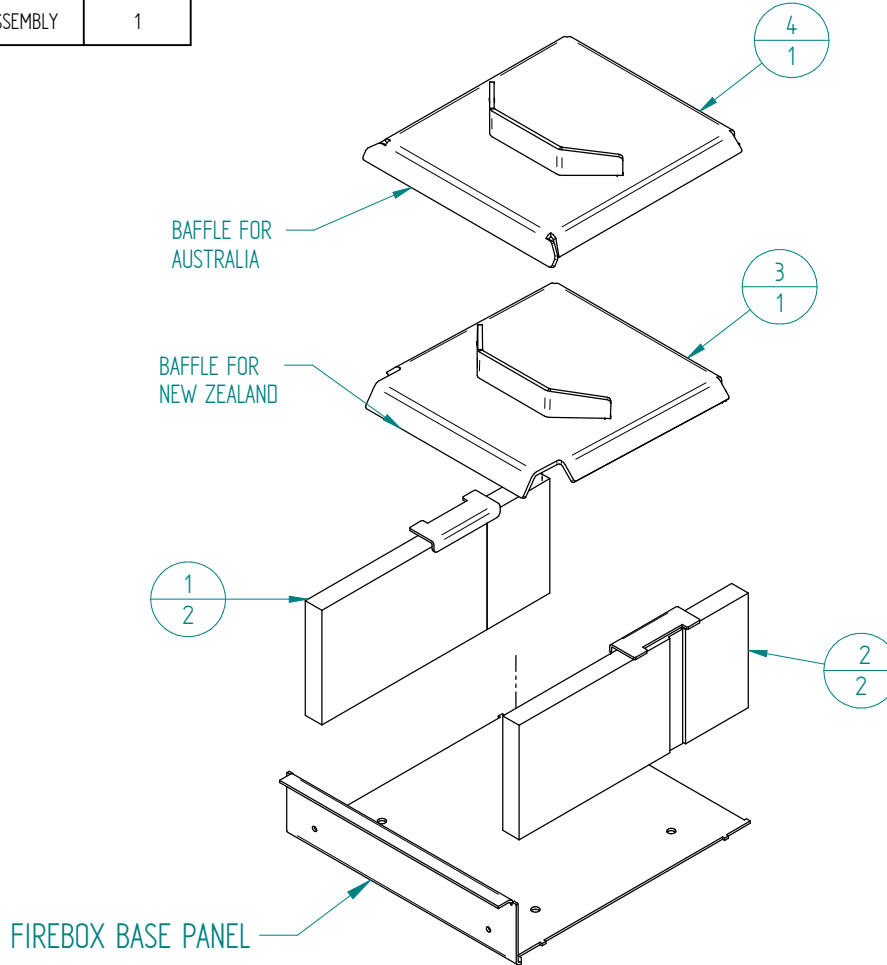


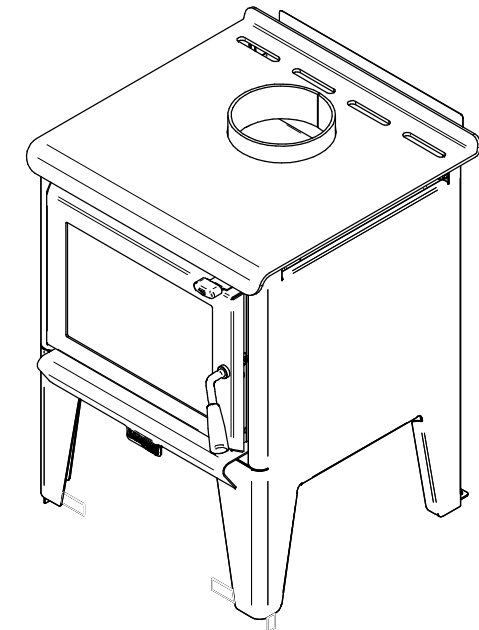
BRICK - BAFFEL PART IDs

ITEM	PART ID	DESCRIPTION	QUANTITY
1	MIC00354	MIC BRICK	2
2	992354	R1200 BRICK 25 X 95 X 150	2
3	992302	R1200 BAFFLE SUB ASSEMBLY	1
4	992381	R12 AUS BAFFLE SUB ASSEMBLY	1

BRICK & BAFFLE LAYOUT FOR ALL
SOFTWOOD & HARDWOOD MODELS WHICH INCLUDES
NZ- R1200 PED & LEGS VERSIONS
AUS- ROSEWOOD & REDCLIFF



NZ - R1200 PED
AUS - ROSEWOOD



NZ - R1200 LEG
AUS - REDCLIFF

BRICK INSTALLATION SEQUENCE -

MAKE SURE THE SMALL STEP ON TOP OF BRICK IS FACING INSIDE THE FIREBOX.

- (A) INSTALL ONE SMALL BRICK ON EITHER OF THE SIDES BY PLACING BETWEEN THE 2 X BOLT HEADS ON THE FIREBOX FLOOR. SLIDE THIS BRICKS TOWARDS REAR OF THE FIREBOX.
- (B) NEXT, TILT AND SLIDE LARGE BRICK UNDER THE FIXED BRICK BRACKET.
- (C) REPEAT STEPS (A) & (B) ON THE OTHER SIDE OF THE FIREBOX.